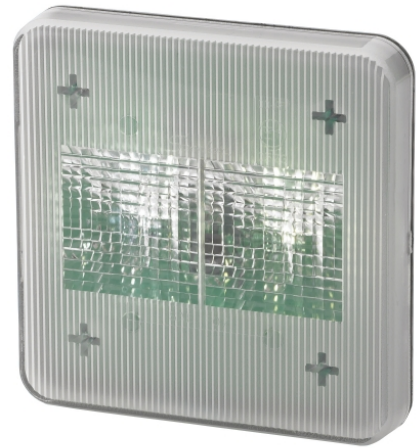


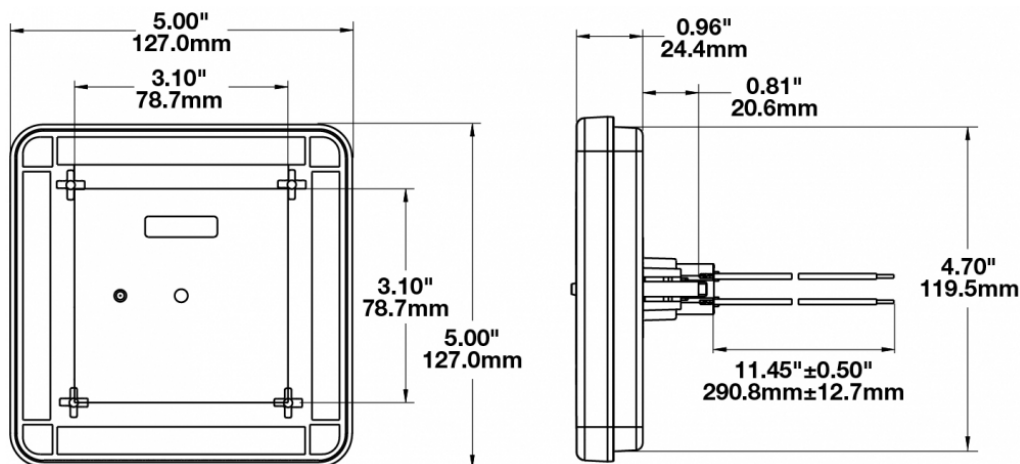
LED Square Signal Lights and Tail Lights - Model 224

PRODUCT INFORMATION

Description	12-24V ECE/SAE LED Backup Light with Harness
Height	127.00 mm / 5 in
Width	127.00 mm / 5 in
Depth	44.96 mm / 1.77 in
Shape	Square
Outer Lens Material	Acrylic
Outer Lens Color	Clear
Housing Material	ABS
Housing Color	Black
Mounting Hardware Description	(x2) M6-1 x 25 Mounting Bolts
Mounting Type	Low Profile Mount
Minimum Operating Temperature	-40 °C / -40 °F
Maximum Operating Temperature	65 °C / 149 °F
Mating Connector	4-Pin Deutsch Plug (DT06-4S)
Product Weight	0.46 lbs / 0.21 kgs
Shipping Weight	0.46 lbs / 0.21 kgs



PRODUCT DIMENSIONS



Print date: 2024-08-11

© 2024 J.W. Speaker Corporation • Germantown, WI U.S.A.
www.jwspeaker.com • speaker@jwspeaker.com • 262.251.6660

LED Square Signal Lights and Tail Lights - Model 224

ELECTRICAL SPECIFICATIONS

Input Voltage	12-24V DC
Black Wire	Ground
White Wire	Backup
Current Draw	0.145A @ 12V DC 0.082A @ 24V DC

REGULATORY STANDARDS COMPLIANCE



ASABE S279	Buy America Standards
ECE Reg 23	Eco Friendly
FMVSS 108 s7.6 (Table XII)	IEC IP67
SAE J593	

PHOTOMETRIC SPECIFICATIONS

Nominal LED Color Temperature 5000 K

APPLICATIONS



Print date: 2024-08-11

© 2024 J.W. Speaker Corporation • Germantown, WI U.S.A.
www.jwspeaker.com • speaker@jwspeaker.com • 262.251.6660

J.W. SPEAKER
Engineered. Lighting. Solutions.

LED Square Signal Lights and Tail Lights - Model 224

PRODUCT WARNINGS

For California residents:

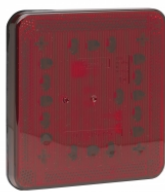
⚠ **WARNING:** Cancer and reproductive harm - www.P65Warnings.ca.gov.

⚠ **AVERTISSEMENT:** Cancer et effet nocif sur la reproduction - www.P65Warnings.ca.gov.

RELATED PRODUCTS



Part Number
0342291
12-24V ECE/SAE LED
Turn Signal Light



Part Number
0342301
12-24V SAE LED Stop
& Tail Light



Part Number
0342361
12-24V ECE LED Rear
Fog Light with Harness